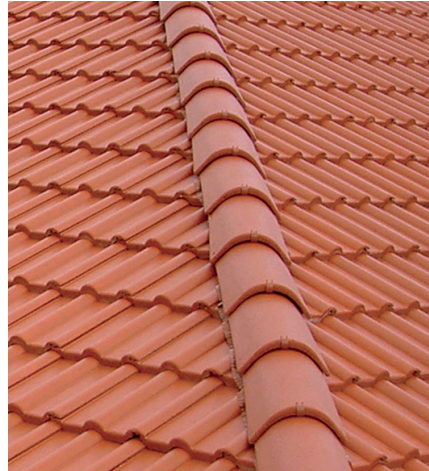


C R E S T N E L S K A M P

CONCRETE RIDGE & HIP TILES

FITTINGS, FIXINGS AND DRY RIDGE SYSTEM



crest
NELSKAMP
ROOFING TILES

☎ 01430 432667

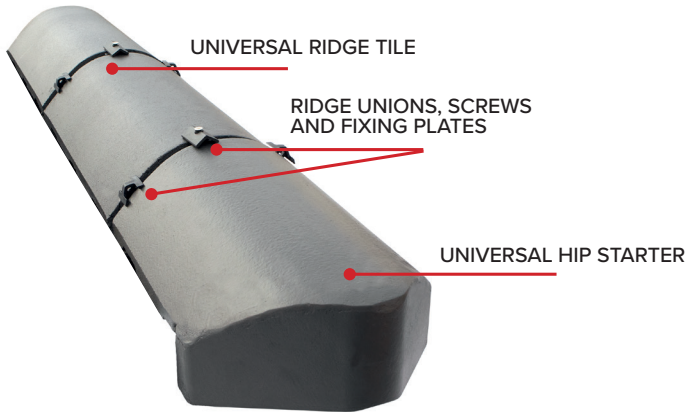
🖨 01430 433000

✉ info@crest-bst.co.uk

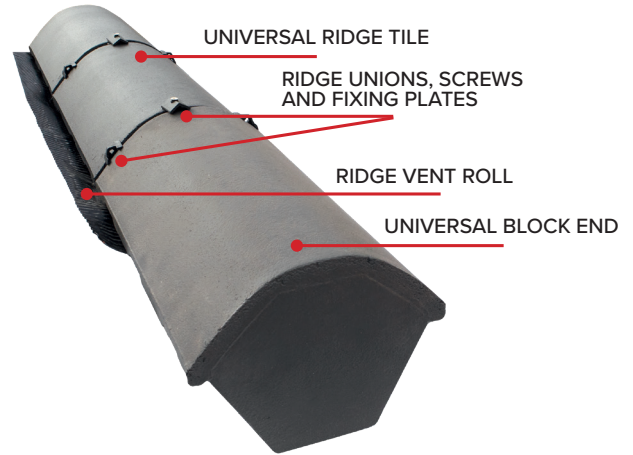
🌐 www.crest-bst.co.uk

Universal Ridge/Hip Tiles

Universal Hip Starter



Universal Block End Ridge



Ridge Union Bracket



Universal Ridge Tile:

Length: ~ 450 mm
 Width: ~ 250 mm
 Weight: ~ 4.2 kg
 Covering Length: ~ 450 mm
 Covering Width: ~ 210 mm
 Coverage: ~ 2.2 per 1m
 Pack/Sleeve 28 - (168 on Pallet)

Universal Hip Starter Tile:

Length: ~ 375 mm
 Weight: ~ 4.5 kg
 Covering Length: ~ 340 mm
 Covering Width: ~ 210 mm

Universal Block End Ridge Tile:

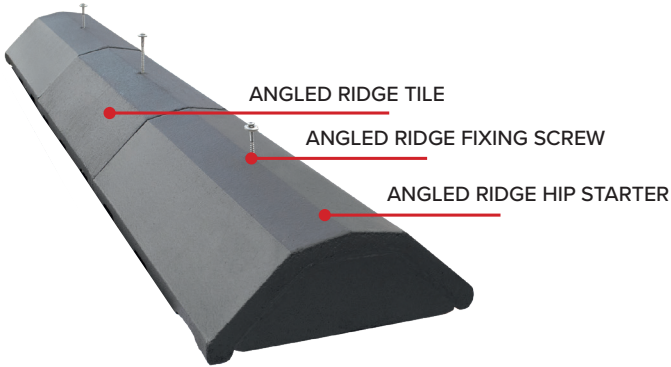
Length: ~ 450 mm
 Weight: ~ 5.5 kg
 Covering Length: ~ 430 mm
 Covering Width: ~ 210 mm

Universal Ridge Check List:

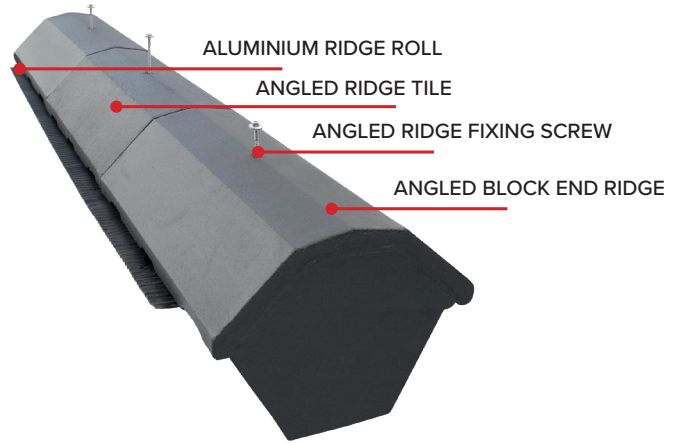
- Universal Ridge Tile
- Universal Block End
- Universal Hip starter
- Dry Ridge Kit System

Angled Ridge/Hip Tiles

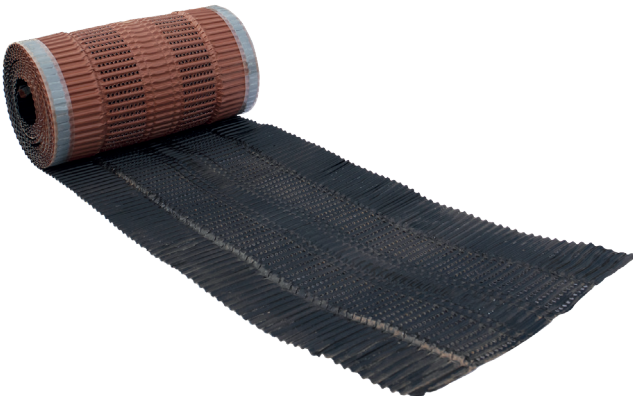
Angled Hip Starter



Angled Block End Ridge



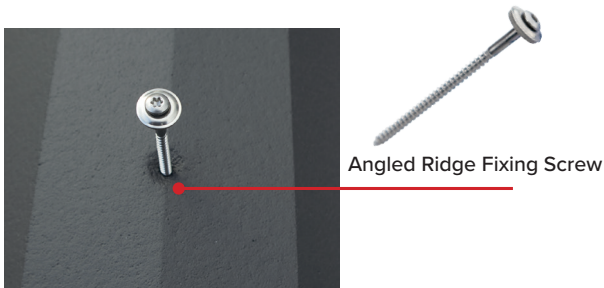
Necoroll Aluminium Ridge Roll (5m Length)



Angled Ridge Fixing Screws Stainless Steel 4.5 x 80mm with a Neoprene Washer



Screw Secures Angled Ridge Tile



Angled Ridge Tile:

Length: ~ 450 mm
 Width: ~ 250 mm
 Weight: ~ 4.3 kg
 Covering Length: ~ 450 mm
 Covering Width: ~ 210 mm
 Coverage: ~ 2.2 per 1m
 Pack/Sleeve 34 - (102 on Pallet)

Angled Hip Starter:

Length: ~ 450 mm
 Width: ~ 250 mm
 Weight: ~ 5.5 kg
 Covering Length: ~ 430 mm
 Covering Width: ~ 210 mm
 (Packed in the quantities as ordered)

Angled Block End Ridge Tile:

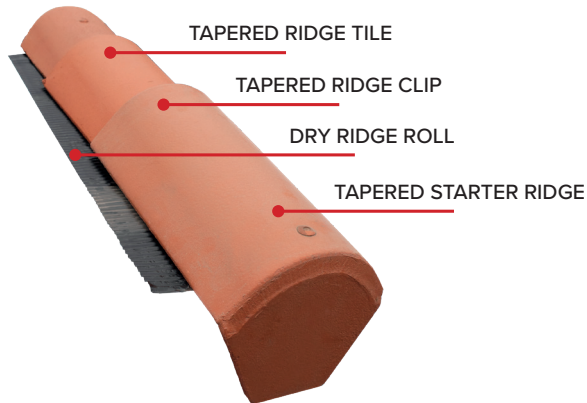
Length: ~ 450 mm
 Width: ~ 250 mm
 Weight: ~ 5.6 kg
 Covering Length: ~ 430 mm
 Covering Width: ~ 210 mm
 (Packed in the quantities as ordered)

Angled Ridge Check List:

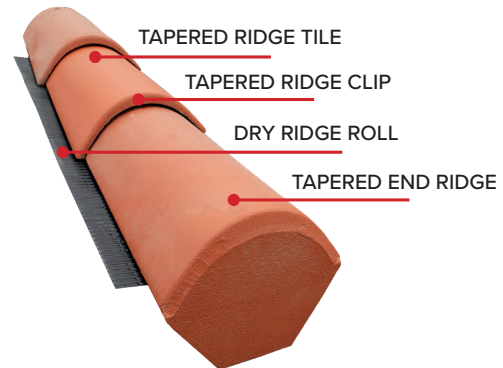
- | | |
|-------------------------------------------------|-----------------------------------------------------|
| <input type="checkbox"/> Angled Ridge Tile | <input type="checkbox"/> Aluminium Ridge Roll |
| <input type="checkbox"/> Angled Hip Starter | <input type="checkbox"/> Angled Ridge Fixing Screws |
| <input type="checkbox"/> Angled Block End Ridge | |

Tapered Ridge/Hip Tiles

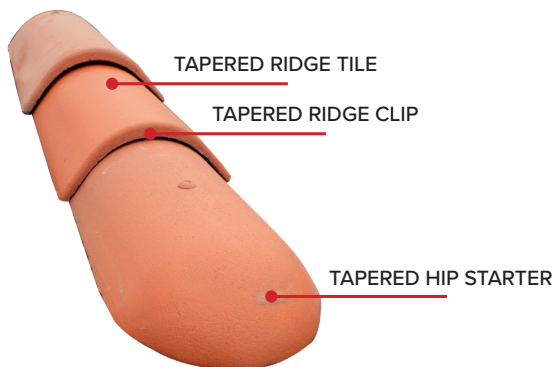
Tapered Ridge End



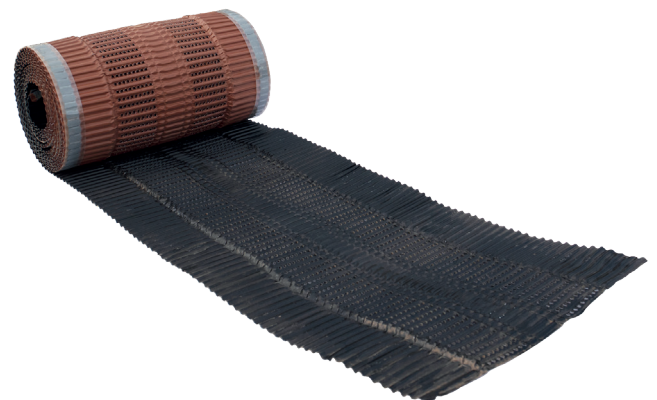
Tapered Ridge Starter



Tapered Hip Starter



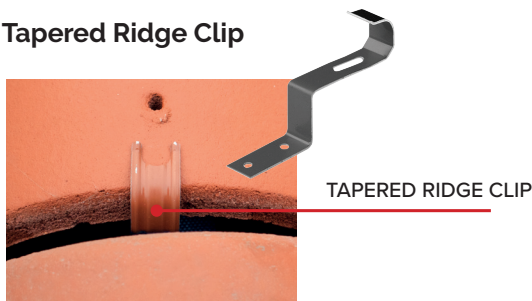
Necoroll Aluminium Ridge Roll (5m Length)



3 Way Hip Junction



Tapered Ridge Clip



Tapered Ridge Tile:

Length: ~ 450 mm
Width: ~ 250 mm
Weight: ~ 4.8kg
Covering Length: ~ 400 mm
Covering Width: ~ 190 mm
Coverage: ~ 2.5 per lm
Pack/Sleeve 28 - (168 on Pallet)

Tapered Ridge Starter

Covering Length: ~ 380 mm
Covering Width: ~ 190 mm
Weight 6.6kg
(Packed in the quantities as ordered)

Tapered Ridge End

Covering Length: ~ 430 mm
Covering Width: ~ 190 mm
Weight 6.6kg
(Packed in the quantities as ordered)

Tapered Hip Starter

Length: ~ 450 mm
Covering Length: ~ 400 mm
Covering Width: ~ 185 mm
Weight 4.7kg
(Packed in the quantities as ordered)

Tapered Ridge Check List:

- | | |
|------------------------------------------------|-----------------------------------------------|
| <input type="checkbox"/> Tapered Ridge Tile | <input type="checkbox"/> Tapered Hip Starter |
| <input type="checkbox"/> Tapered Starter Ridge | <input type="checkbox"/> Aluminium Ridge Roll |
| <input type="checkbox"/> Tapered End Ridge | <input type="checkbox"/> Tapered Ridge Clips |